

TECHNICAL DATA

LIBERTY HARDWARE®

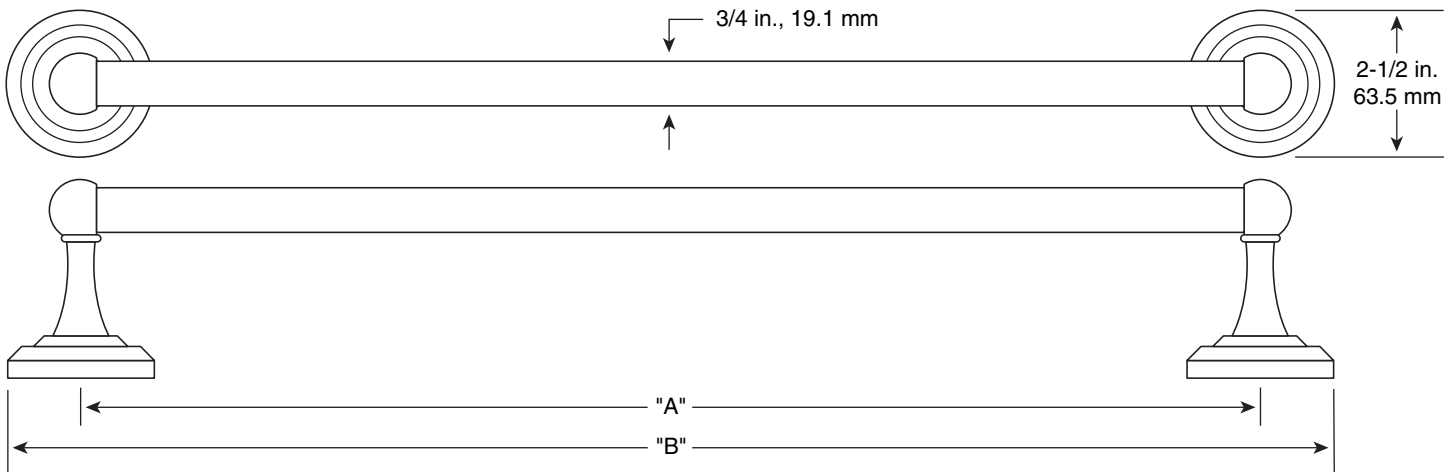
MANUFACTURING CORPORATION

A Masco Company

140 Business Park Drive • Winston-Salem, NC 27107
 800.542.3789 • T 336.769.4077 • F 336.769.1839
 www.libertyhardware.com

KELSIE™

Towel Bar



18 in. TOWEL BAR

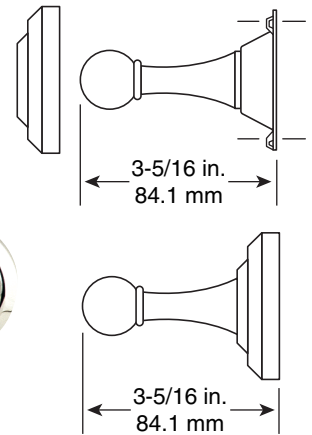
"A" = 17-9/16 in., 446 mm
 "B" = 20-1/16 in., 509.6 mm

24 in. TOWEL BAR

"A" = 23-9/16 in., 598.5 mm
 "B" = 26-1/16 in., 662 mm

30 in. TOWEL BAR

"A" = 29-9/16 in., 750.9 mm
 "B" = 32-1/16 in., 814.4 mm



MATERIALS:

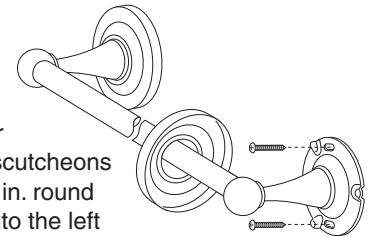
Post - brass rod
 Escutcheon - stamping brass; 22 gage
 18 in., 24 in. and 30 in. Bars - 26 gage seamless drawn brass tubing; 3/4 in. O.D.
 Wall plate - steel x 20 gage; zinc plated with yellow dichromate

WEIGHTS:

18 in. Towel Bar - 1.1 lbs., 24 in. Towel Bar - 1.22 lbs., 30 in. Towel Bar - 1.36 lbs.

INSTALLATION:

Use the template from the box for positioning. Towel bar assembly posts will be mounted at 17-9/16 in. center-to-center for 18 in. towel bar, 23-9/16 in. center-to-center for 24 in. towel bar and 29-9/16 in. center-to-center for 30 in. towel bar. Remove the escutcheons from both towel bar posts. Screw the left towel bar post to the wall with two #8 x 1-1/4 in. round head, zinc plated steel screws and plastic anchors provided. Press the escutcheon onto the left towel bar post until secure. Insert the bar into the left post. Slip the other escutcheon onto the bar. Insert the bar into the right post. Screw the right towel bar post to the wall with two #8 x 1-1/4 in. round head, zinc plated steel screws and plastic anchors provided. Press the escutcheon onto the right post until secure.



OPTIONAL FASTENER INFORMATION: Wood blocking is preferable behind all wall surfaces. If wood blocking is not available, the following fasteners are suggested: tile/masonry - plastic or lead anchors; plaster/drywall - toggle bolts.

SPECIFICATION: Surface mounted towel bar shall be model _____ (fill in model number) by Liberty Hardware Manufacturing Corporation.