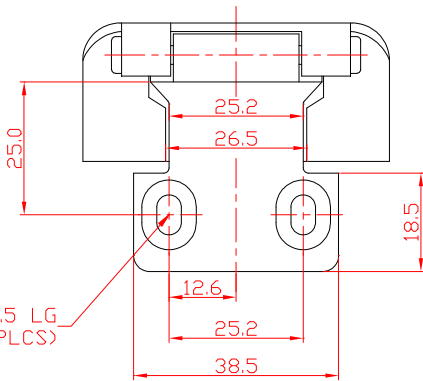
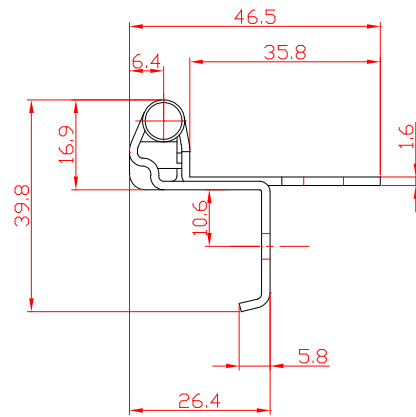


4.8 WIDE X 12.0 LG THRU



4.6 WIDE X 7.5 LG THRU (2 PLCS)

DRAWN BY: John Lai
SCALE: 1/1
DATE: 11/08/00

UNLESS OTHERWISE SPECIFIED
DIMENSIONS AND TOLERANCING
ARE IN MILLIMETERS (INCHES)

TOLERANCES

.X ± .1
.XX ± .03
.XXX ± .005

HARDWARE RESOURCES

4319 MARLENA ST, BOSSIER CITY, LA 71111

MATERIAL: STEEL

PART NAME:

ITEM NO: H6441

PLATING: AB/BB/PC/SN