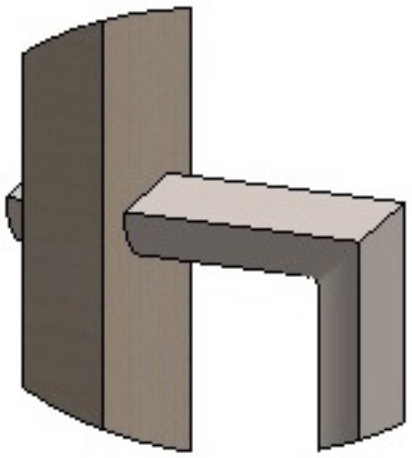
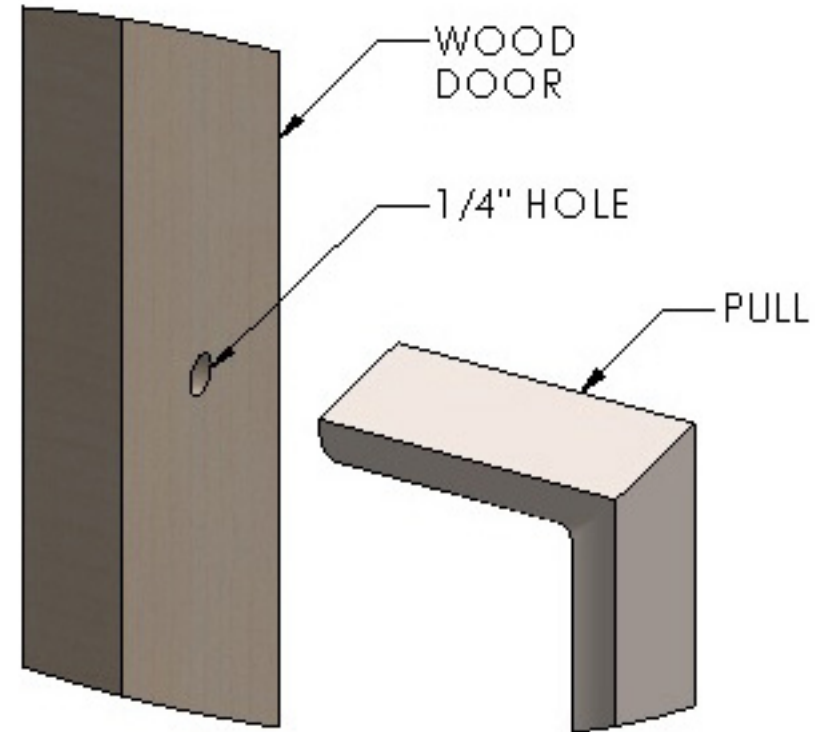
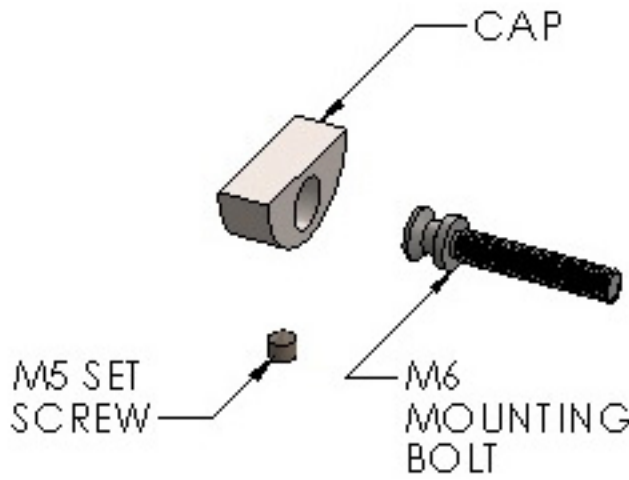


ALTERNATE MOUNTING
OPTION WITHOUT CAP



THROUGH BOLT WOOD MTG.

Linnea[®]