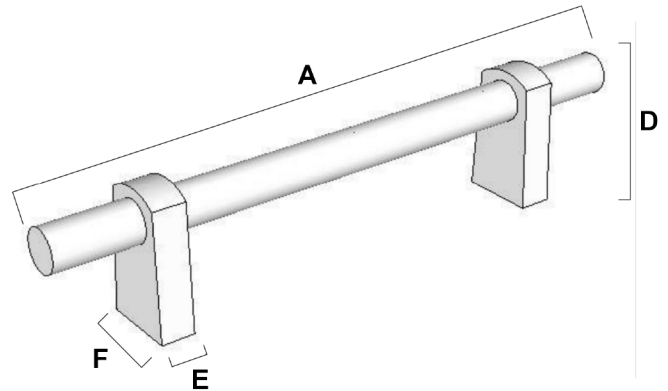


SPECIFICATIONS

**VITA BELLA
PULLS**



PRODUCT SHEET



FEATURES

- Transitional styling
- Multiple finishes
- Concealed installation

WARRANTY

Limited lifetime

FINISHES

- Matte Black (MB)
- Champagne (CHP)
- Matte Nickel (MN)
- Champagne/Matte Black (CHP/MB)
- Matte Nickel/Matte Black (MN/MB)

MATERIAL

Aluminum

| Item# | A | B | C | D | E (L) | F (W) |
|----------|-----------|-----|-------|--------|-------|--------|
| A2801-18 | 19 31/32" | 18" | 5/16" | 1 1/4" | 1/4" | 11/16" |

KEY:

- A - Overall Length
- B - Center to Center
- C - Width
- D - Projection
- E - Mount Length
- F - Mount Width

NOTE: Dimensions and specifications are subject to change without notice.