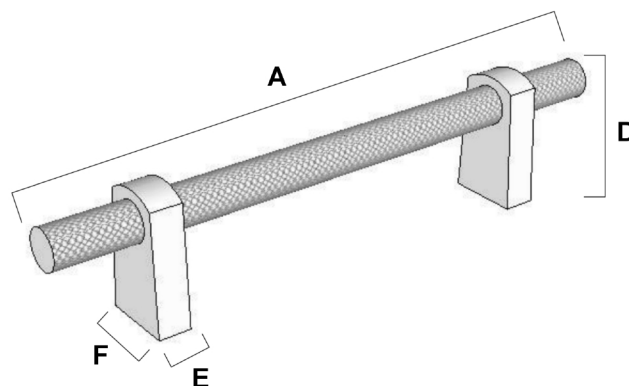
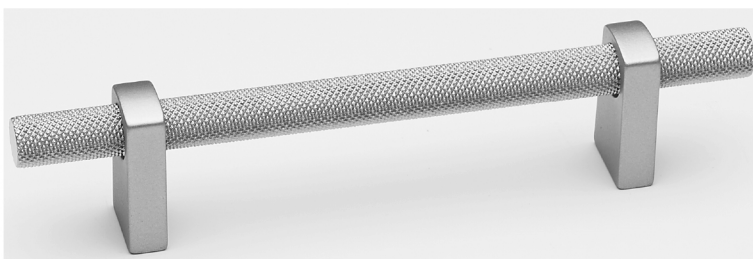


**SPECIFICATIONS**

**VITA BELLA  
PULLS**



**FEATURES**

Transitional styling  
Multiple finishes  
Concealed installation

**WARRANTY**

Limited lifetime

**FINISHES**

Matte Black (MB)  
Champagne (CHP)  
Matte Nickel (MN)  
Champagne/Matte Black (CHP/MB)  
Matte Nickel/Matte Black (MN/MB)

**MATERIAL**

Aluminum

Item#	A	B	C	D	E (L)	F (W)
A2901-35	5 12/32"	3 1/2"	3/8"	1 1/4"	1/4"	11/16"

**KEY:**

A - Overall Length  
B - Center to Center  
C - Width  
D - Projection  
E - Mount Length  
F - Mount Width

NOTE: Dimensions and specifications are subject to change without notice.