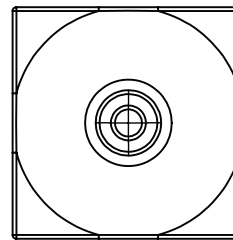
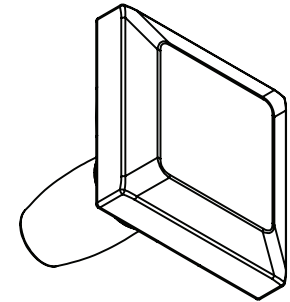
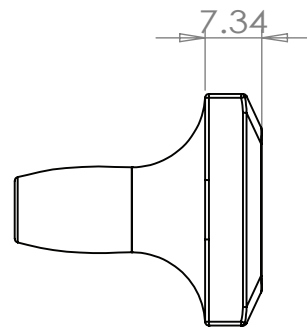



0



PART NO. <b>4192-10TB-P</b>	MATERIAL <b>ZINC</b>	DATE <b>9-2023</b>	
COLLECTION <b>METRO</b>	DESCRIPTION <b>METRO TOASTED BRONZE KNOB</b>	<small>PROPRIETARY AND CONFIDENTIAL</small> <b>THE INFORMATION CONTAINED IN THIS DRAWING IS THE SOLE PROPERTY OF BERENSON CORP. ANY REPRODUCTION IN PART OR AS A WHOLE WITHOUT THE WRITTEN PERMISSION OF BERENSON CORP IS PROHIBITED.</b>	
UNIT OF MEASURE <b>MILLIMETERS</b>			