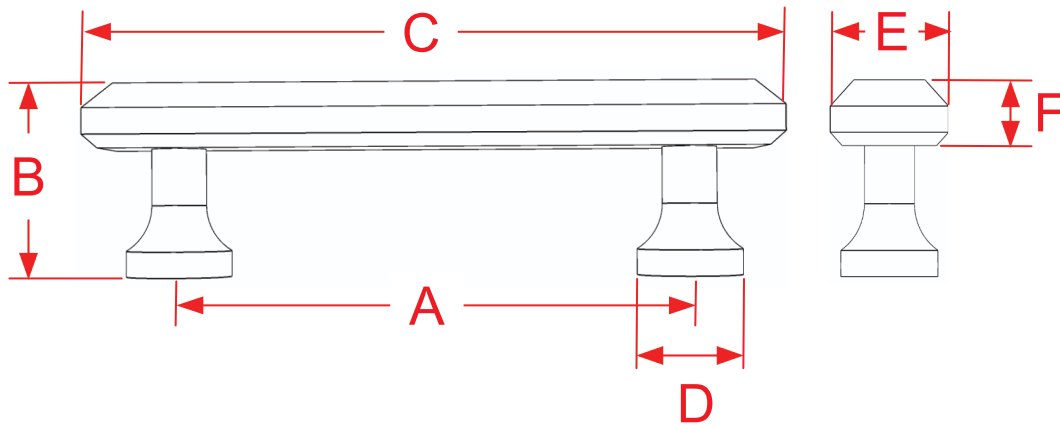


# 273 Series Cabinet Door & Appliance Pulls

Finishes for Life  
TARNISH-FREE GUARANTEED



Part #	A Center to Center	B Projection	C Overall	D Base	E Bar Width	F Bar Height
273-4	4.0000"	1.2500"	6.0000"	0.6250"	0.7500"	0.5000"
273-6	6.0000"	1.2500"	8.0000"	0.6250"	0.7500"	0.5000"
273-8	8.0000"	1.2500"	10.0000"	0.6250"	0.7500"	0.5000"
273-10	10.0000"	1.2500"	14.0000"	0.6250"	0.7500"	0.5000"
Custom Sizing Available						



Manufacturing Fine Architectural Hardware  
in the USA Since 1927



Copyright 2015  
Colonial Bronze Company  
All rights reserved