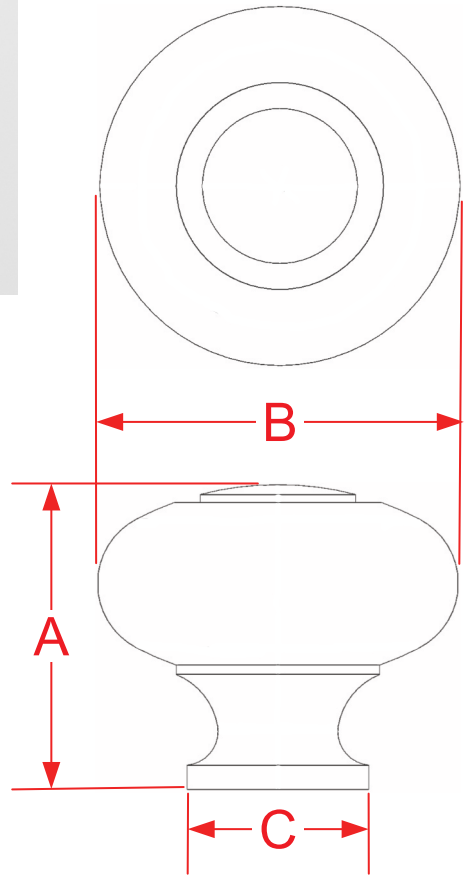


1920 & 1930 Cabinet Knobs Series

Finishes for Life
TARNISH-FREE GUARANTEE



	A	B	C
Part #	Projection	Diameter	Base Diameter
1920	1.1250"	1.2500"	0.7500"
1930	1.2500"	1.5000"	0.7500"
Custom Sizing Available			



Manufacturing Fine Architectural Hardware
in the USA Since 1927

