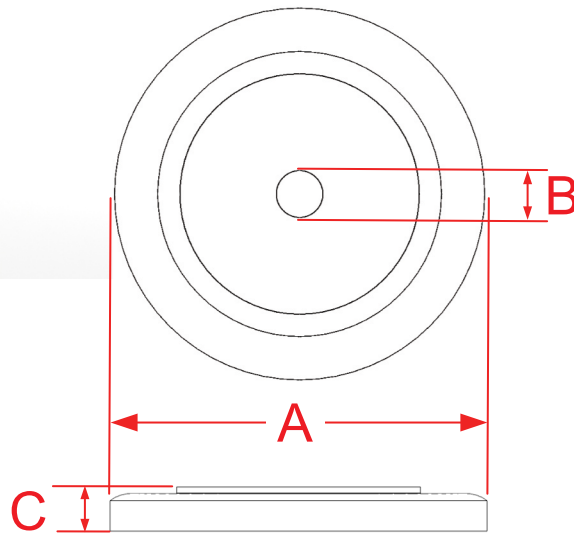


202, 203, 9202 and 9203 Backplate

Finishes for Life
TARNISH-FREE GUARANTEED



Part #	A Diameter	B Center Diameter	C Projection	Screw
202	1.7500"	0.1690"	0.1875"	8/32
203	1.5000"	0.1690"	0.1875"	8/32
9202	1.7500"	0.2500"	0.1875"	1/4-20
9203	1.5000"	0.2500"	0.1875"	1/4-20
Custom Sizing Available				



Manufacturing Fine Architectural Hardware
in the USA Since 1927

