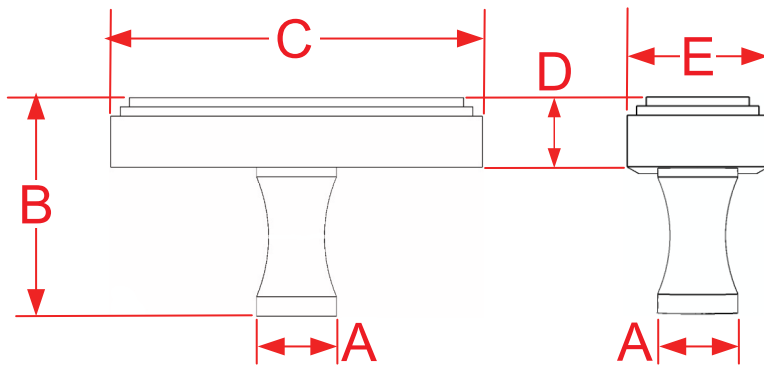
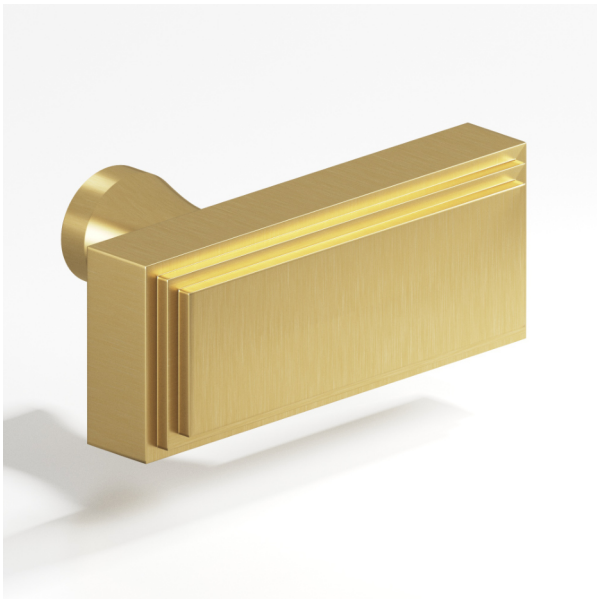


# 940 Cabinet Knob Series

Finishes for Life  
TANNING-FREE GUARANTEE



	A	B	C	D	E
<b>Part #</b>	<b>Base</b>	<b>Projection</b>	<b>Overall</b>	<b>Thickness</b>	<b>Diameter</b>
940	0.4375"	1.2070"	20000"	0.3750"	0.7500"
Custom Sizing Available					



Manufacturing Fine Architectural Hardware  
in the USA Since 1927

