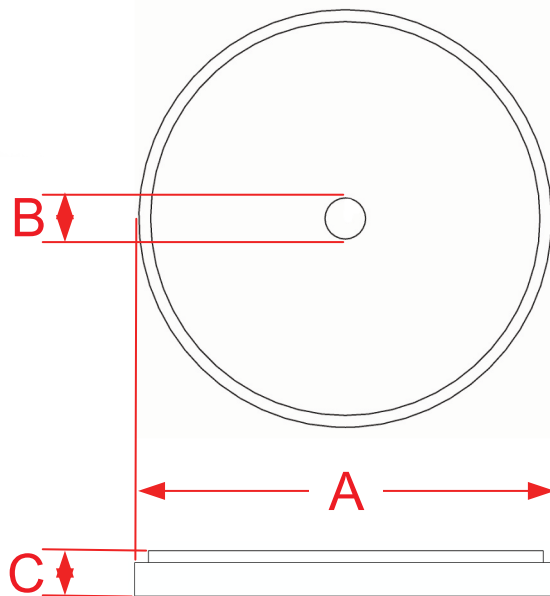


9620, 9621 & 9622 Backplates

Finishes for Life
FINISH-FREE GUARANTEE



Part #	A Diameter	B Center Diameter	C Projection	Screw
9620	1.2500"	0.1720"	0.1875"	8-32
9621	1.5000"	0.1720"	0.1875"	8-32
9622	1.7500"	0.1720"	0.1875"	8-32
Custom Sizing Available				



Manufacturing Fine Architectural Hardware
in the USA Since 1927

