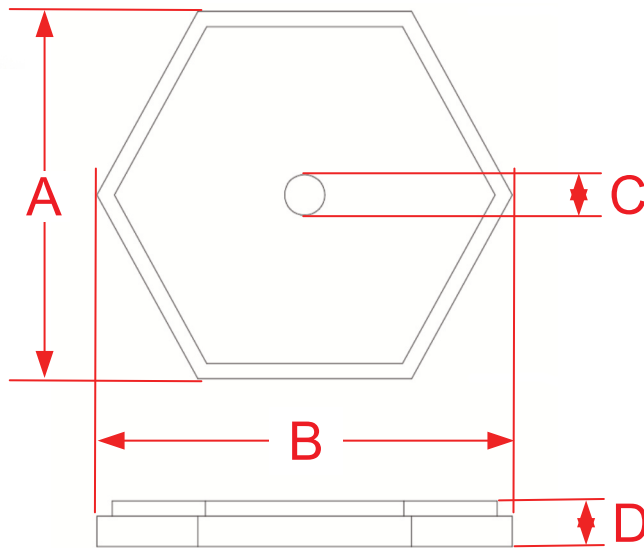


9626, 9627 & 9628 Cabinet Backplate

Finishes for Life
TARNISH-FREE GUARANTEED



| Part # | A Diameter Flats | B Diameter Corners | C Center Hole Diameter | D Projection | D Screw |
|-------------------------|------------------------|--------------------------|---------------------------------|-----------------|------------|
| 9626 | 1.2500" | 1.4430" | 0.1730" | 0.1875" | 8-32 |
| 9627 | 1.5000" | 1.7320" | 0.1730" | 0.1875" | 8-32 |
| 9628 | 1.7500" | 2.0210" | 0.1730" | 0.1875" | 8-32 |
| Custom Sizing Available | | | | | |



Manufacturing Fine Architectural Hardware
in the USA Since 1927

