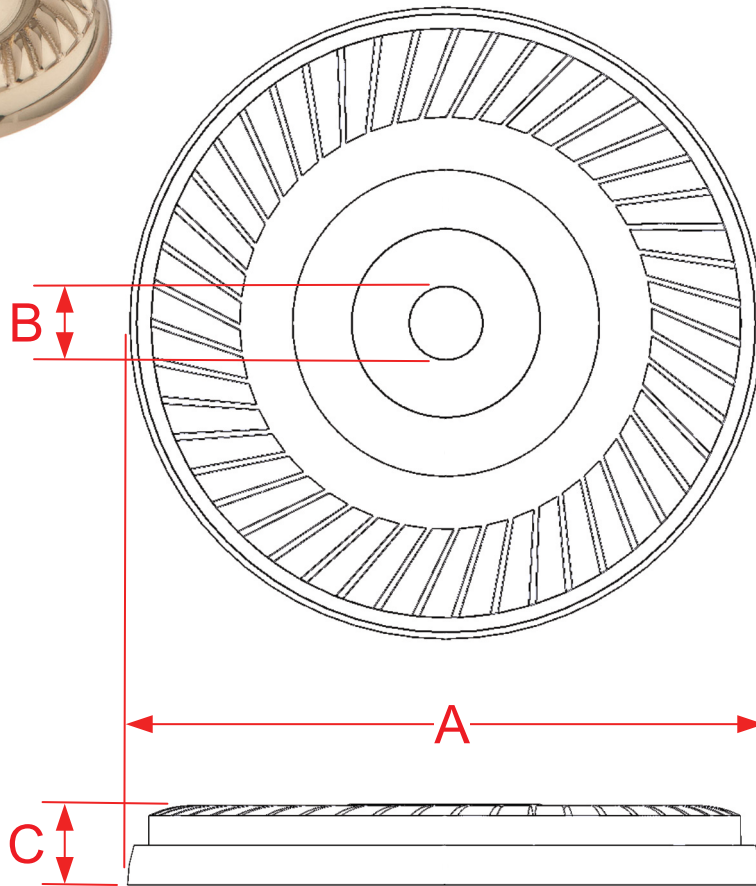


656 & 658 Series Cabinet Backplate

Finishes for Life
FINISH-FREE GUARANTEE



Part #	A Diameter	B Center Diameter	C Projection	Screw
656	1.1875"	0.1880"	0.1875"	8-32
658	1.6250"	0.1880"	0.1875"	8-32
Custom Sizing Available				



Manufacturing Fine Architectural Hardware
in the USA Since 1927

