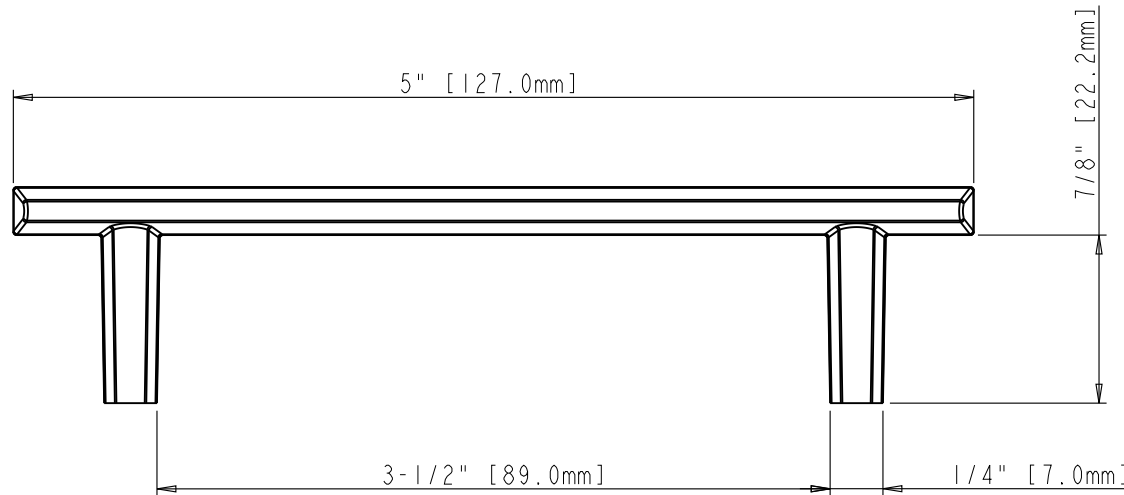


3-3/4" [96mm] CC

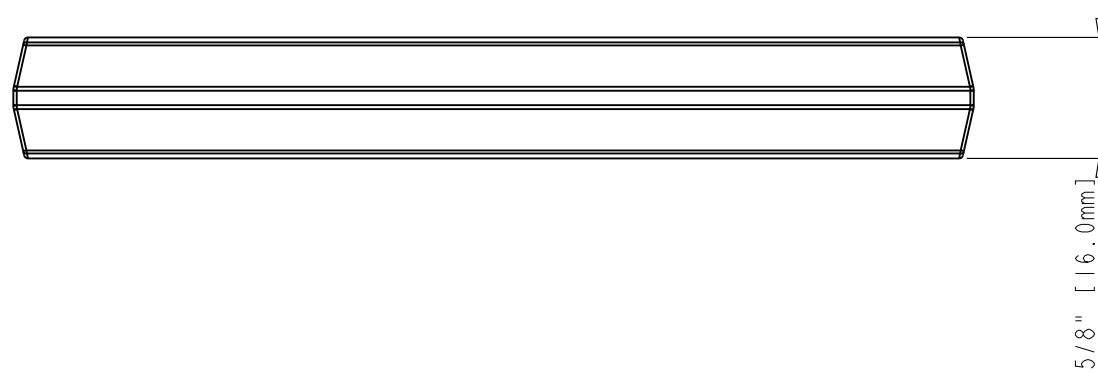


5" [127.0mm]

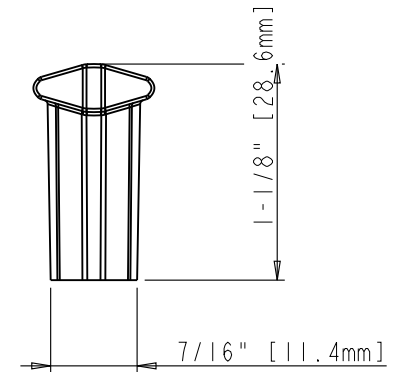
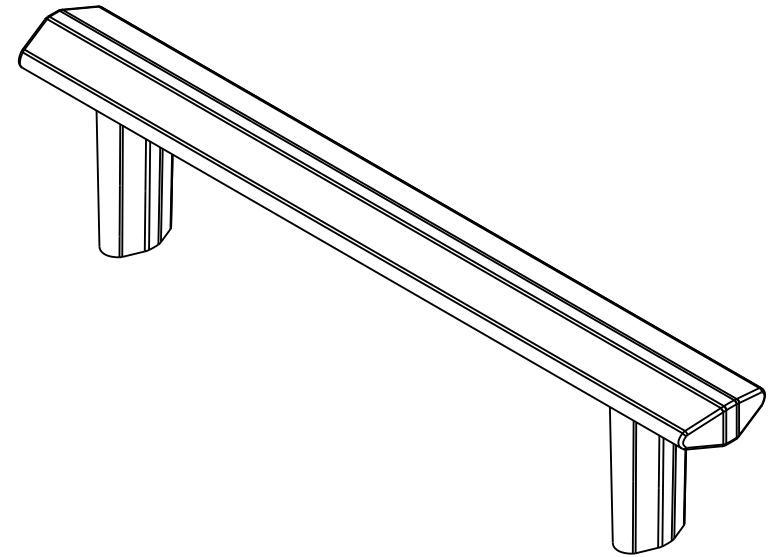
7/8" [22.2mm]

3-1/2" [89.0mm]

1/4" [7.0mm]



5/8" [16.0mm]



1-1/8" [28.6mm]

7/16" [11.4mm]

ACCESSORY:

SCREW: 8-32X1" 2 PCS

BREAK AWAY SCREW: 8-32x45 2 PCS

ALL SCREW MATERIAL: STEEL-SAE1006

	ITEM:	641-96	MATERIAL:	Zinc
	FINISH:		WEIGHT:	76.0 Gram/0.167 LBS
<p>PROPRIETARY AND CONFIDENTIAL</p> <p>THE INFORMATION CONTAINED IN THIS DRAWING IS THE SOLE PROPERTY OF HARDWARE RESOURCES INC. ANY REPRODUCTION IN PART OR AS A WHOLE WITHOUT THE WRITTEN PERMISSION OF HARDWARE RESOURCES INC. IS PROHIBITED.</p>	TOLERANCE UNLESS OTHERWISE SPECIFIED:	UNITS:	DRAWN BY:	DATE:
	X ±0.20		<i>Alan Liu</i>	
	X.X ±0.10	SIZE:	APPROVED BY:	DATE:
	X.XX ±0.05	SHEET:	RELEASE LEVEL:	REVISION:
ANGULAR: ±0.5°	DO NOT SCALE DRAWING			