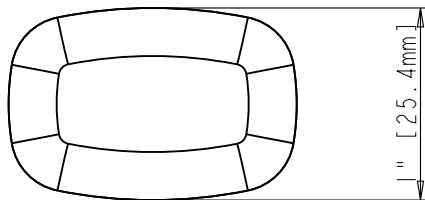
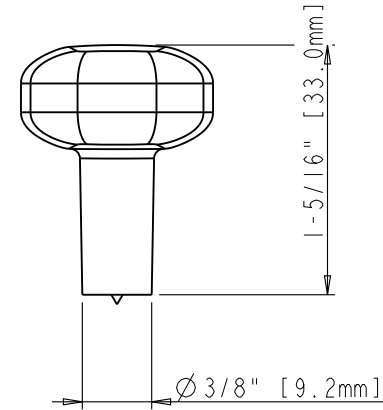
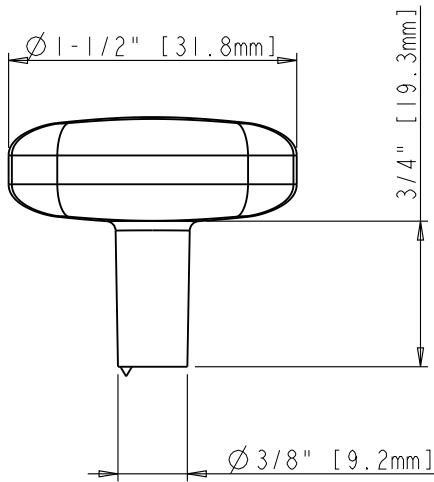
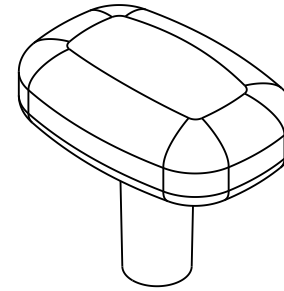


8-32 UNC ∇ 3/8" [10mm]



ACCESSORY:

SCREW: 8-32X1" 1 PCS

BREAK AWAY SCREW: 8-32x45 1 PCS

ALL SCREW MATERIAL: STEEL-SAE1006

	ITEM:	329L		MATERIAL:	Zinc
	FINISH:			WEIGHT:	70.8 Gram/0.156 LBS
<p>PROPRIETARY AND CONFIDENTIAL</p> <p>THE INFORMATION CONTAINED IN THIS DRAWING IS THE SOLE PROPERTY OF HARDWARE RESOURCES INC. ANY REPRODUCTION IN PART OR AS A WHOLE WITHOUT THE WRITTEN PERMISSION OF HARDWARE RESOURCES INC. IS PROHIBITED.</p>	TOLERANCE UNLESS OTHERWISE SPECIFIED:	UNITS:	DRAWN BY:	DATE:	
	X ±0.20		<i>Alan Liu</i>		
	X.X ±0.10	SIZE:	APPROVED BY:	DATE:	
	X.XX ±0.05	SHEET:	RELEASE LEVEL:	REVISION:	
ANGULAR: ±0.5°	DO NOT SCALE DRAWING				