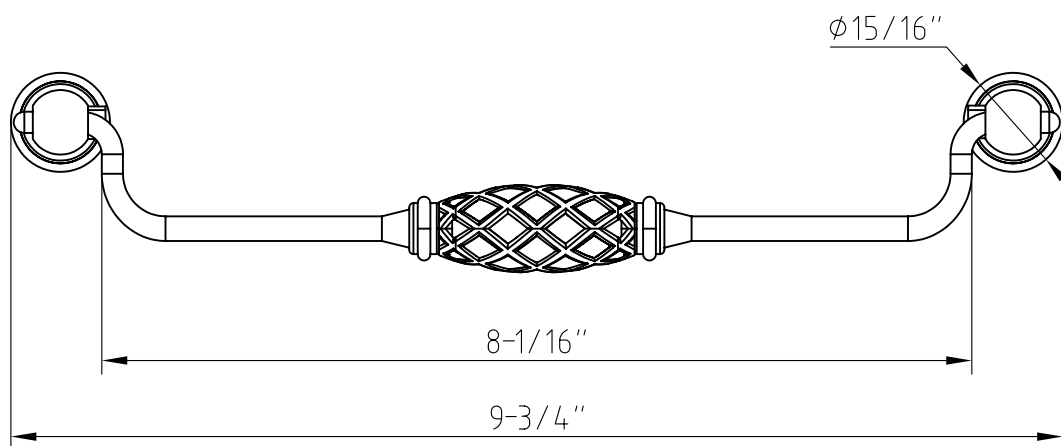


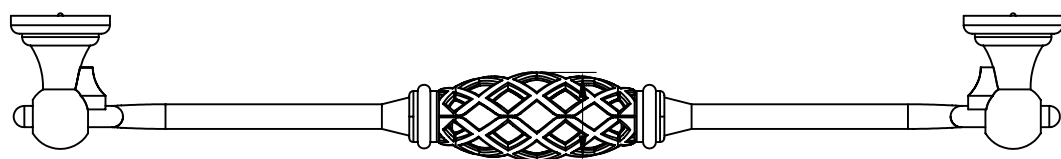
224MM



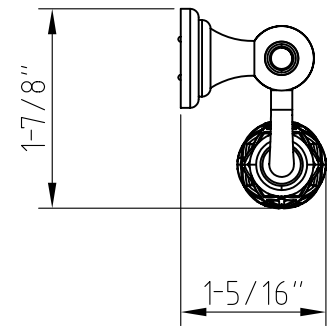
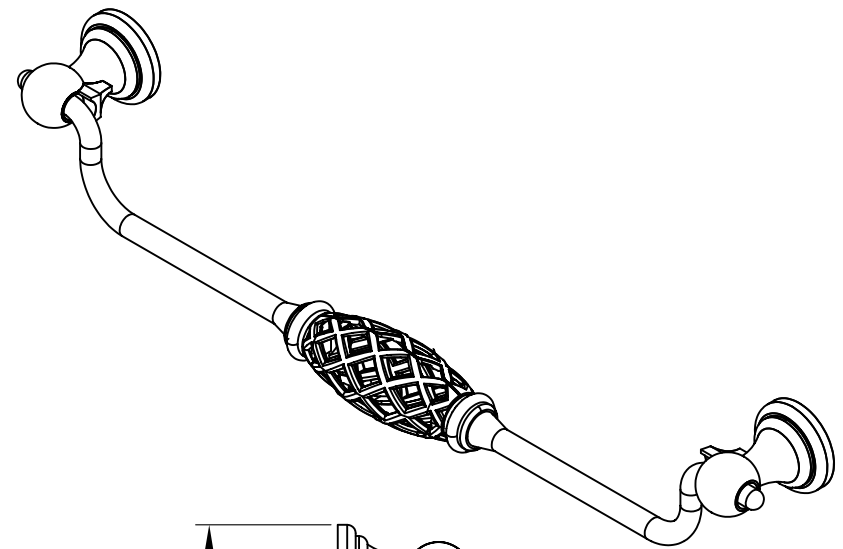
$\phi 15/16''$

8-1/16''

9-3/4''



13/16''



1-7/8''

1-5/16''

MyKnobs.com	ITEM#: 749-224	MATERIAL: Zinc
	FINISH: ABSB/DACM/DBAC/SIM	WEIGHT: 9g
PROPRIETARY AND CONFIDENTIAL THE INFORMATION CONTAINED IN THIS DRAWING IS THE SOLE PROPERTY OF HARDWARE RESOURCES INC. ANY REPRODUCTION IN PART OR AS A WHOLE WITHOUT THE WRITTEN PERMISSION OF HARDWARE RESOURCES INC. IS PROHIBITED.	TOLERANCE UNLESS OTHERWISE SPECIFIED: X.: MM ± 0.20 X.X: MM ± 0.10 X.XX: MM ± 0.05 ANGULAR: $\pm 0.5^\circ$ DO NOT SCALE DRAWING	UNIT: SIZE: APPROVED BY:
	DRAWN BY: <i>alan.tiu</i> CHECKED BY: DATE:	PROJECTION:
	DATE:	DATE:
	DATE:	DATE: