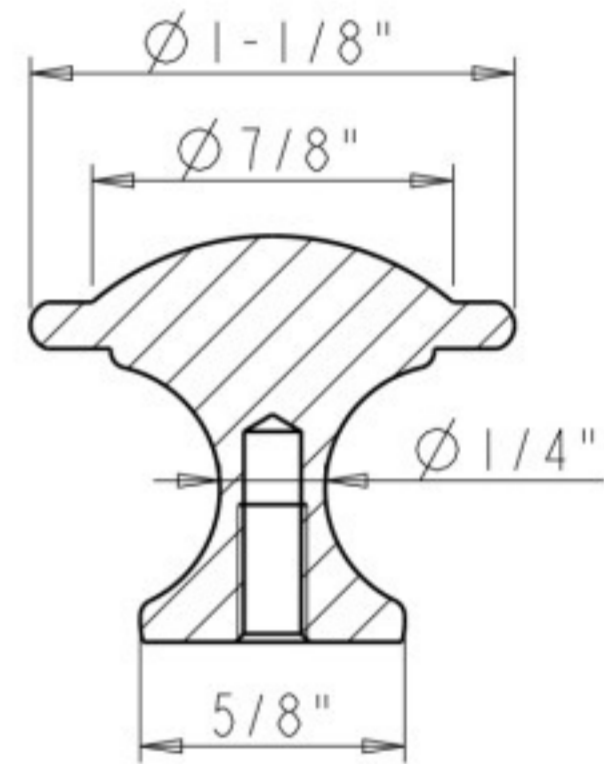
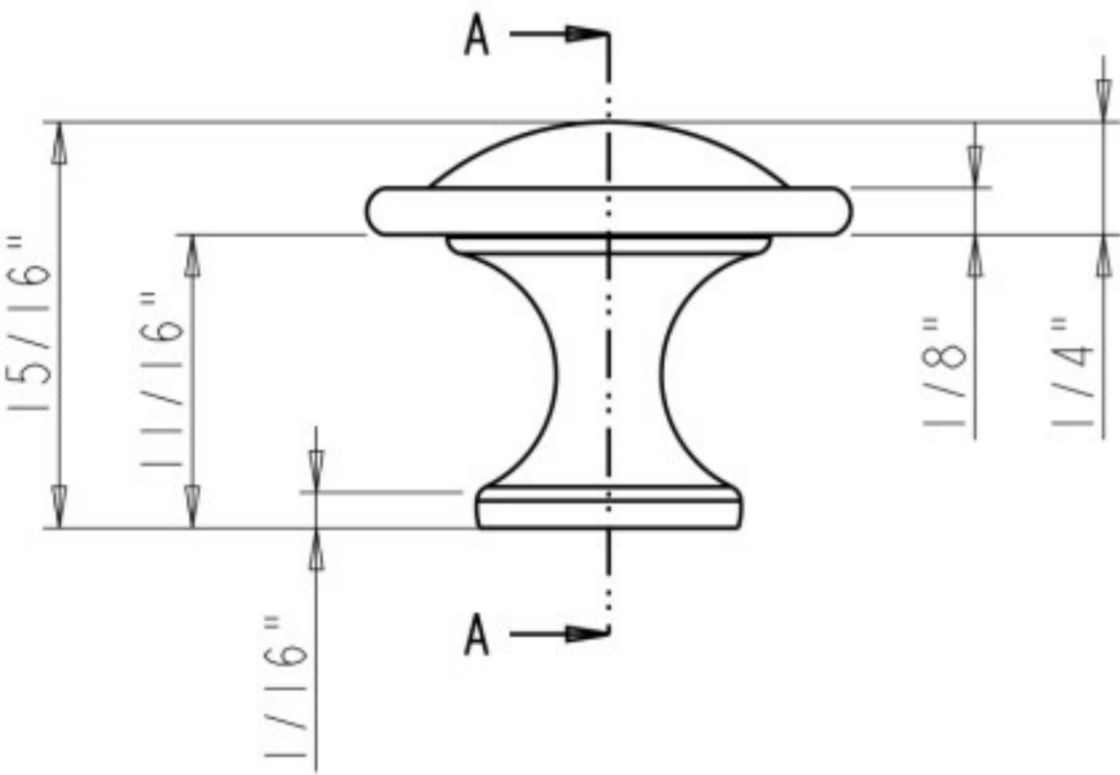
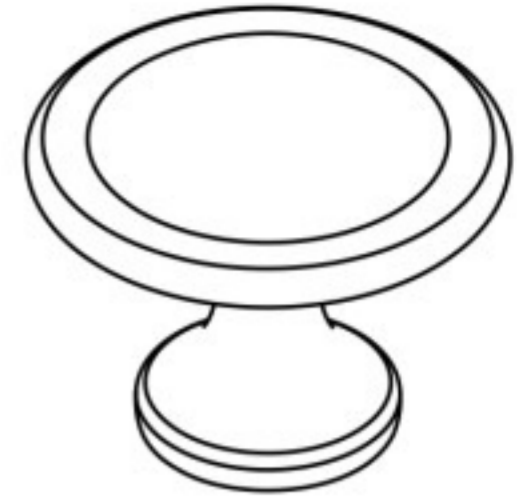
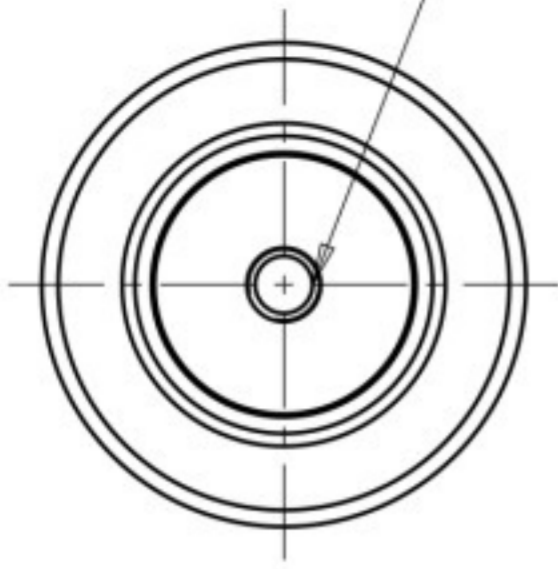


8-32 UNC - ∇ 1/2"



SECTION A-A

