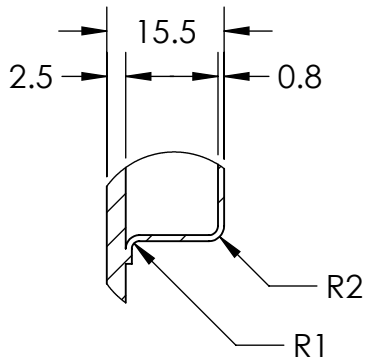
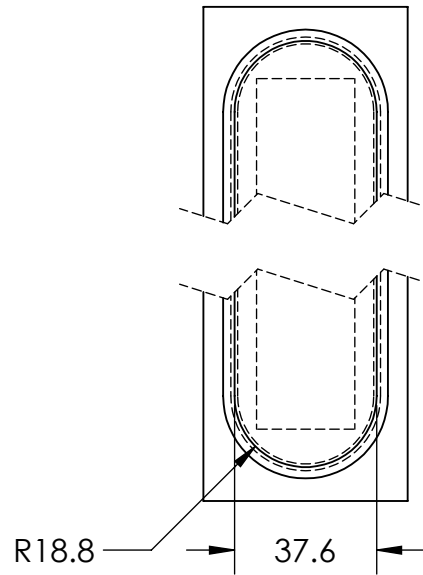
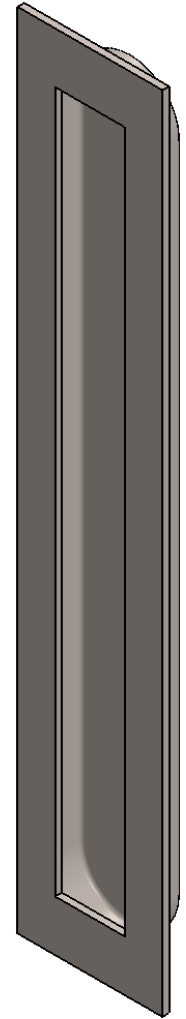


SECTION A-A



DETAIL B  
SCALE 1 : 1



**PROPRIETARY AND CONFIDENTIAL**  
 THE INFORMATION CONTAINED IN THIS DRAWING IS THE SOLE PROPERTY OF LINNEA LLC. ANY REPRODUCTION IN PART OR AS A WHOLE WITHOUT THE WRITTEN PERMISSION OF LINNEA LLC IS PROHIBITED.

UNLESS OTHERWISE SPECIFIED:

DIMENSIONS ARE IN MMS  
 TOLERANCES:  
 FRACTIONAL ±  
 ANGULAR: MACH ± BEND ±  
 TWO PLACE DECIMAL ±  
 THREE PLACE DECIMAL ±

INTERPRET GEOMETRIC TOLERANCING PER:

MATERIAL  
**316 STAINLESS**

FINISH

DO NOT SCALE DRAWING

|           | NAME | DATE    |
|-----------|------|---------|
| DRAWN     | JP   | 2.17.17 |
| CHECKED   | RAFI |         |
| ENG APPR. |      |         |
| MFG APPR. |      |         |
| Q.A.      |      |         |

COMMENTS:

**LINNEA LLC**

TITLE:

**RPS 300**

| SIZE     | DWG. NO. | REV |
|----------|----------|-----|
| <b>A</b> |          |     |

| SCALE: 1:2 | WEIGHT: | SHEET 1 OF 1 |
|------------|---------|--------------|
|            |         |              |